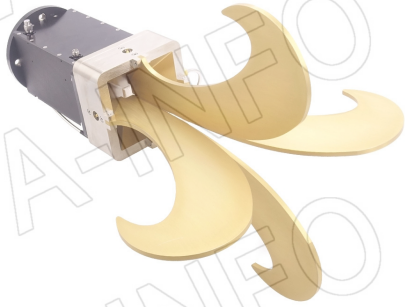


For reference only. See data sheet for the detailed specifications.

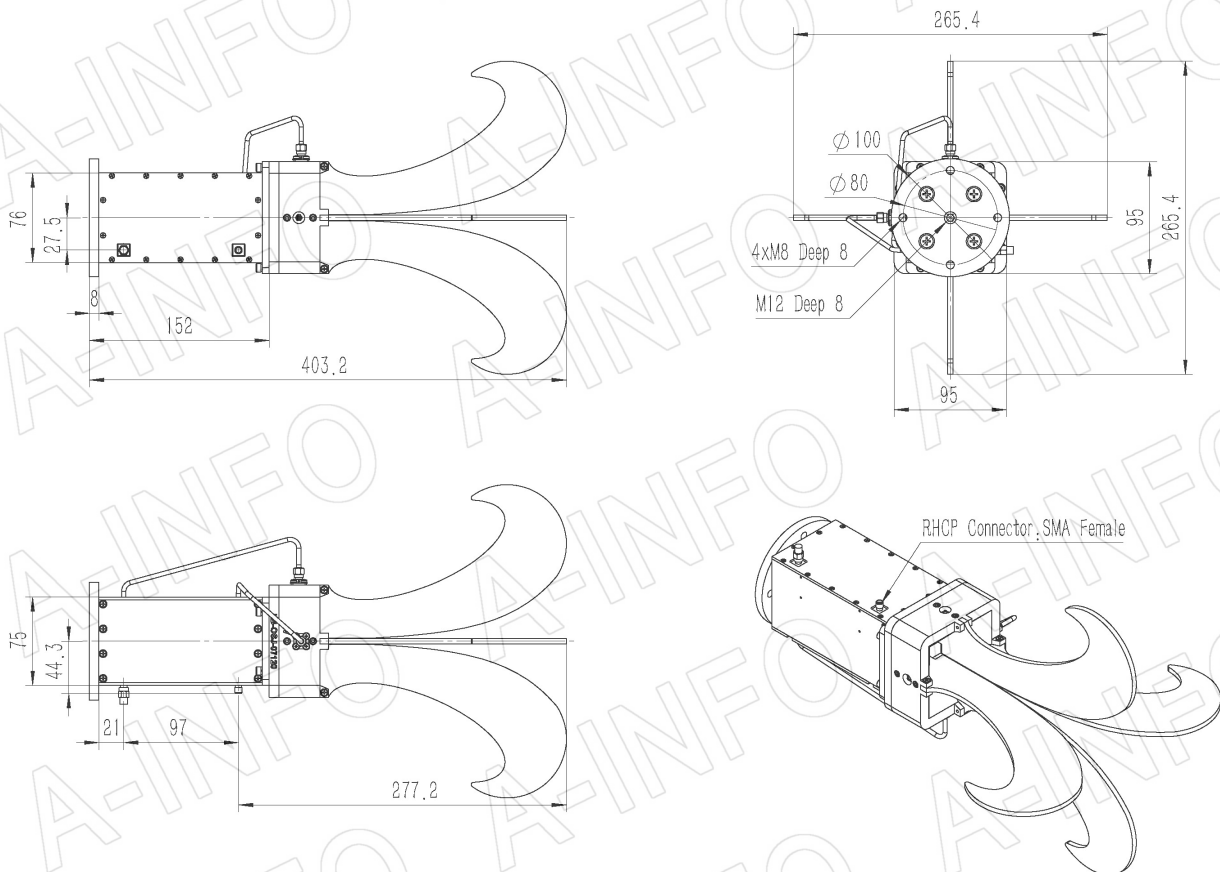
Technical Specification



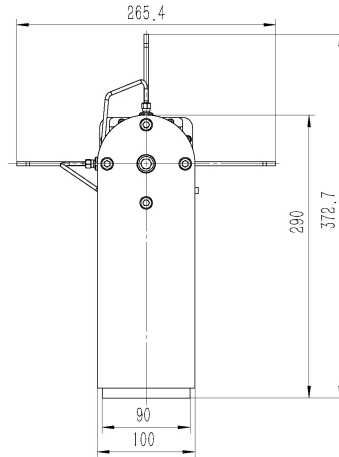
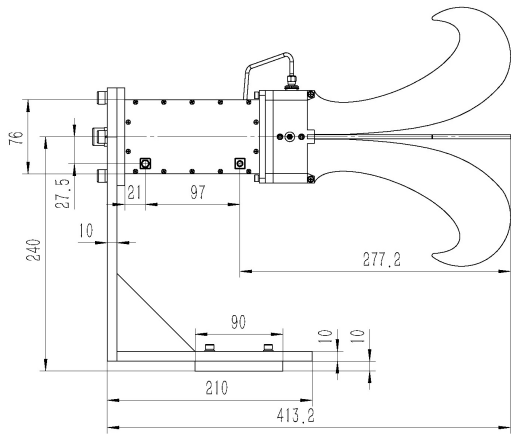
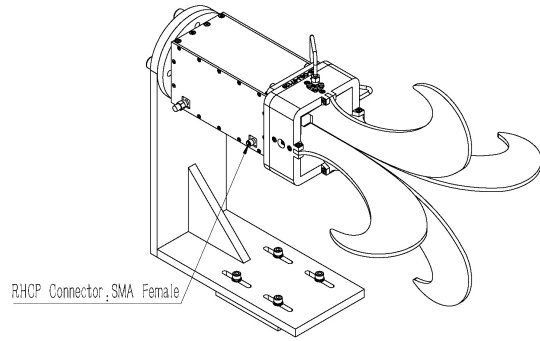
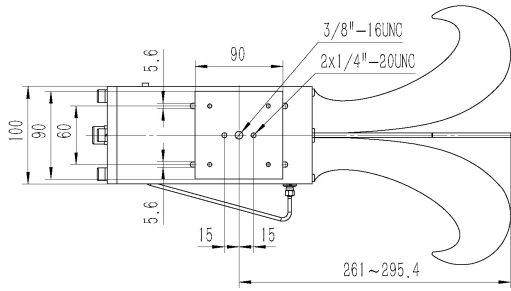
Frequency Range(GHz)	0.7 – 12.0
Gain(dBic)	10 Typ.
Polarization	RHCP
Axial Ratio(dB)	1.5 Typ.
	3.5 Max.
3dB Beamwidth(deg)	E Plane: 91 - 25
	H Plane: 174 - 24
VSWR	1.50:1 Max.
Connector	SMA-Female
Power Handling(W CW)	20 Max.
Material	Al
Finish	Chemical Conversion Coating and Nickel Plated, Anodizing
Size(mm)	265.4 x 265.4 x 403.2
Net Weight(Kg)	2.46 Around

Outline Drawing (Size: mm)

SMA-Female Output (P/N: LB-OSJ-07120-P02)

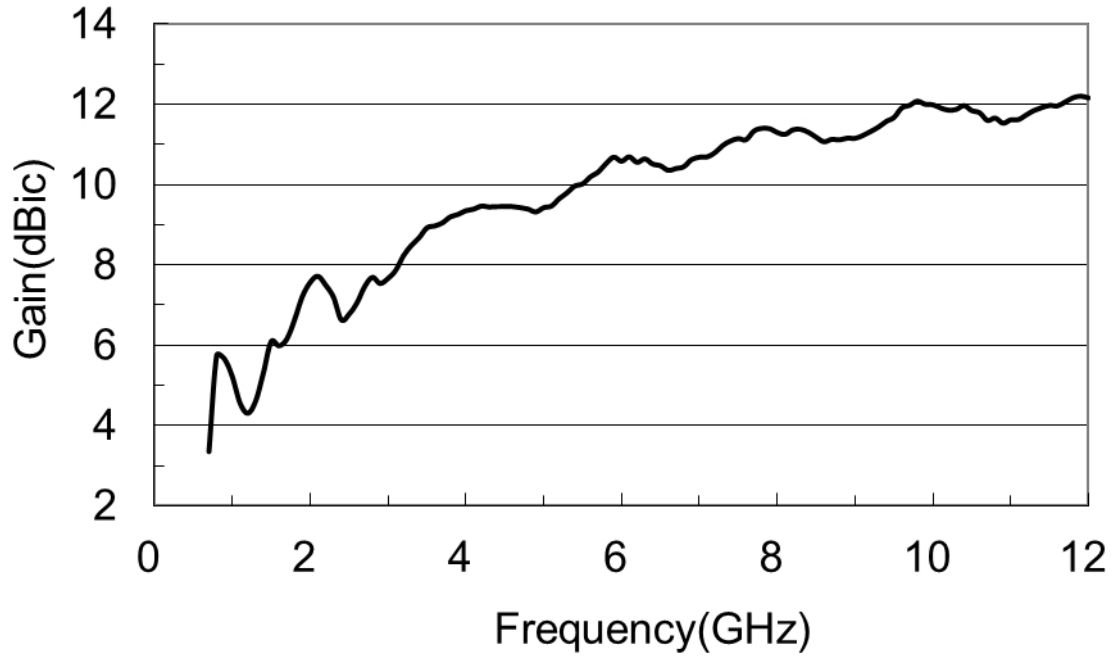


SMA-Female Output with L Type Mounting Bracket (Option, P/N: LB-660-L)

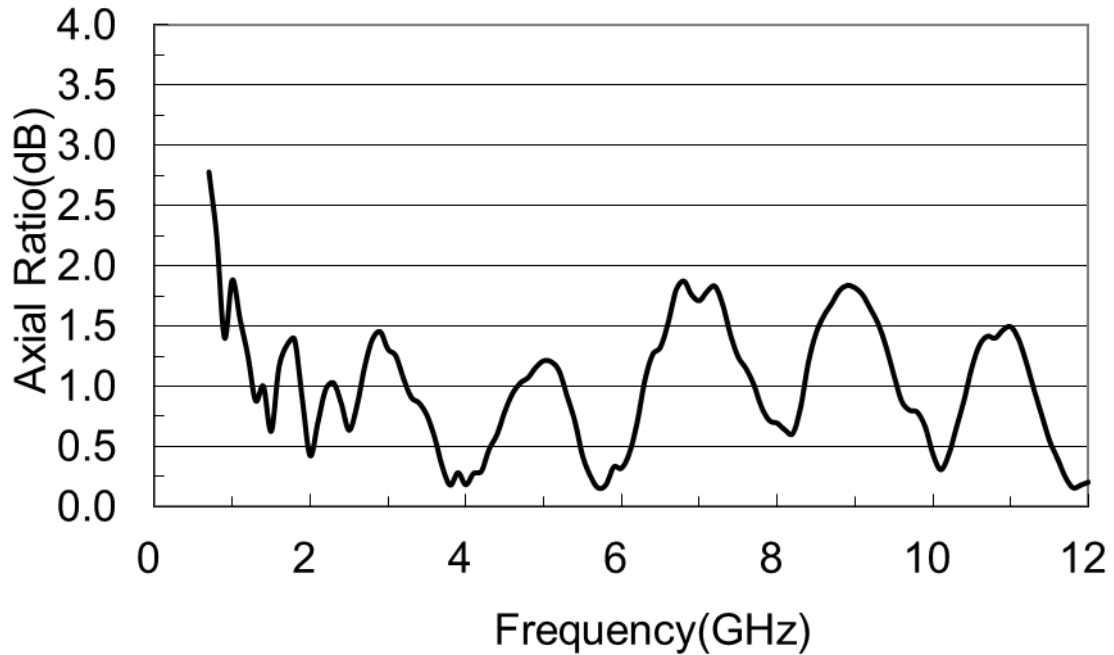


Test Results

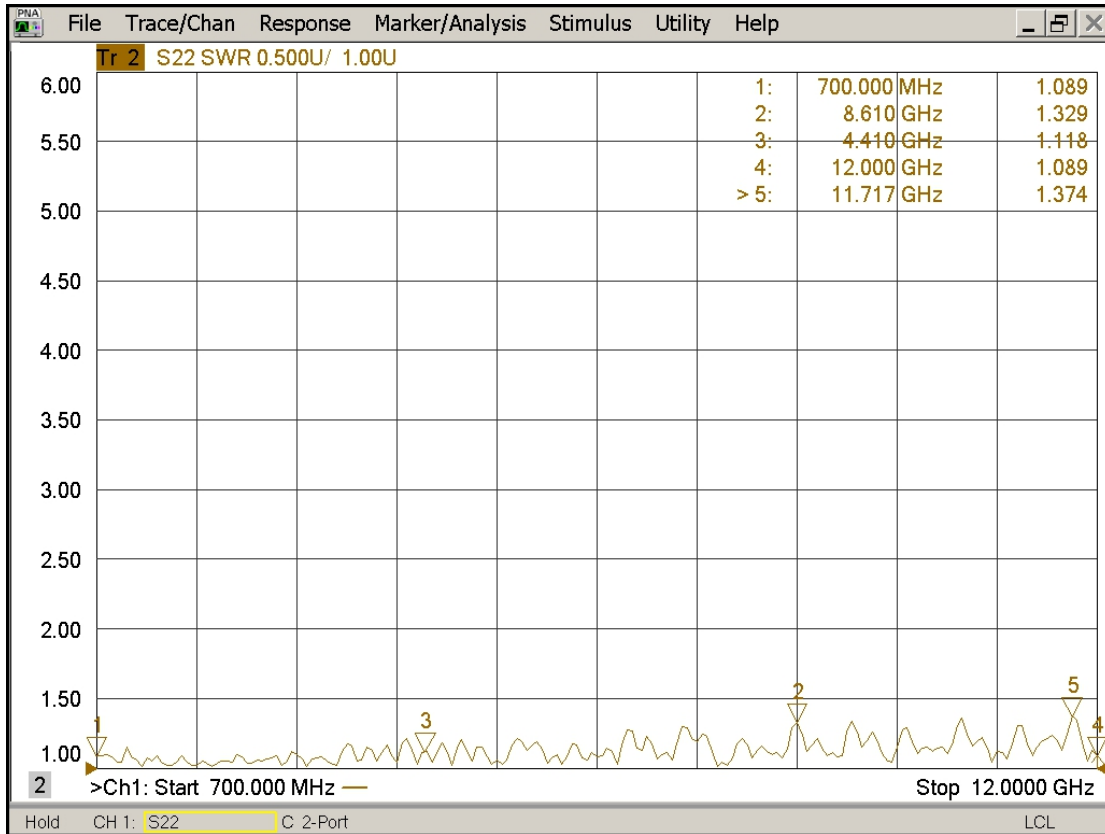
1. Gain



2. Axial Ratio



3. VSWR



4. Pattern

